

ELECTROLUX OUTDOOR PRODUCTS

PNC	Type/Prefix/nd	Model	Brand
953878150		P 6562E	PARTNER
953878244		BL 6562E	BERNARD LOISIRS
953878151		M 6062E	MCCULLOCH
953878037		P 6562E -UK	PARTNER
953878036		RE6562E RED	UN-BRANDED
953878158		MINI RIDER 620	UNIROPA

953878153

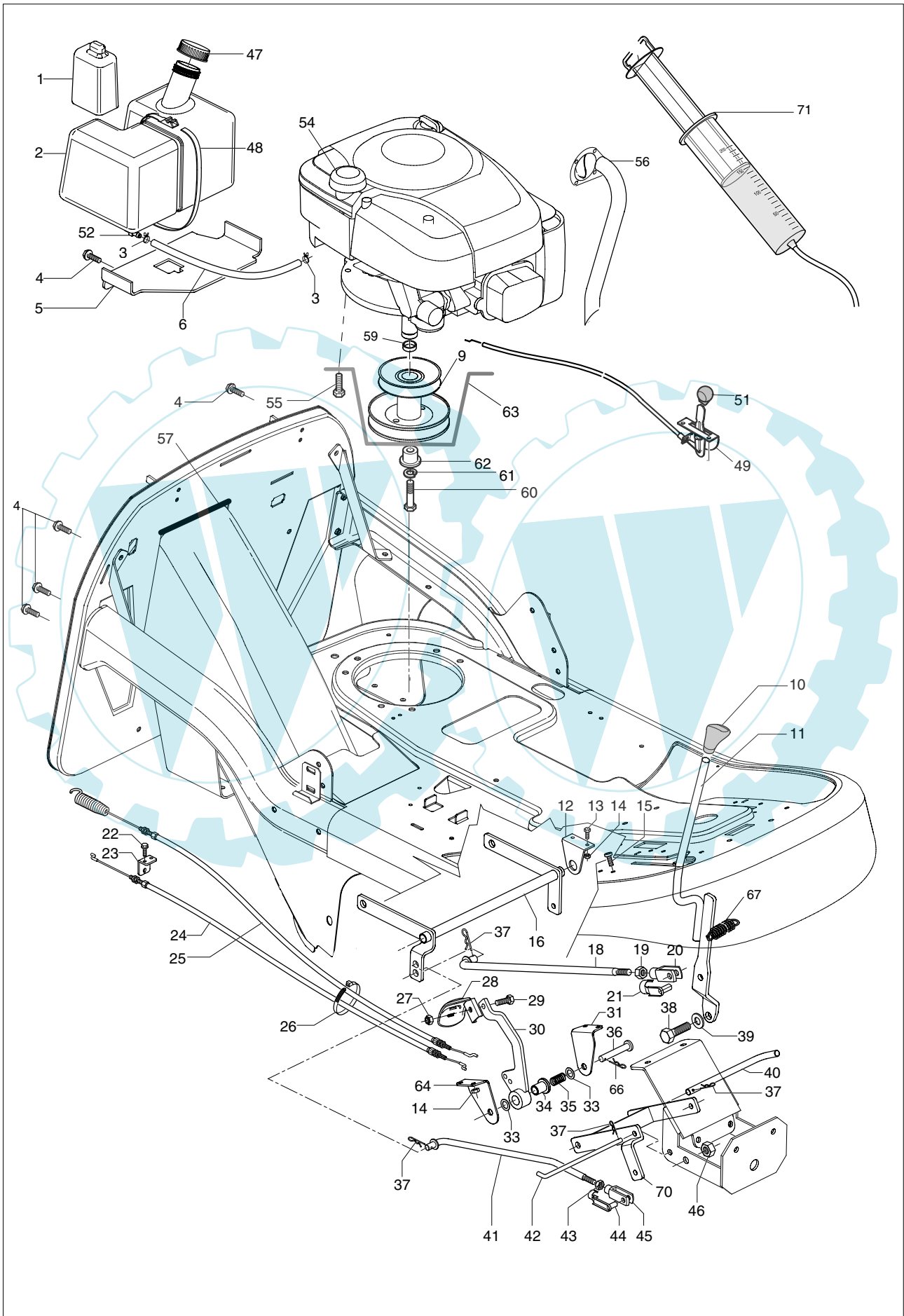


P 6062 E

PARTNER

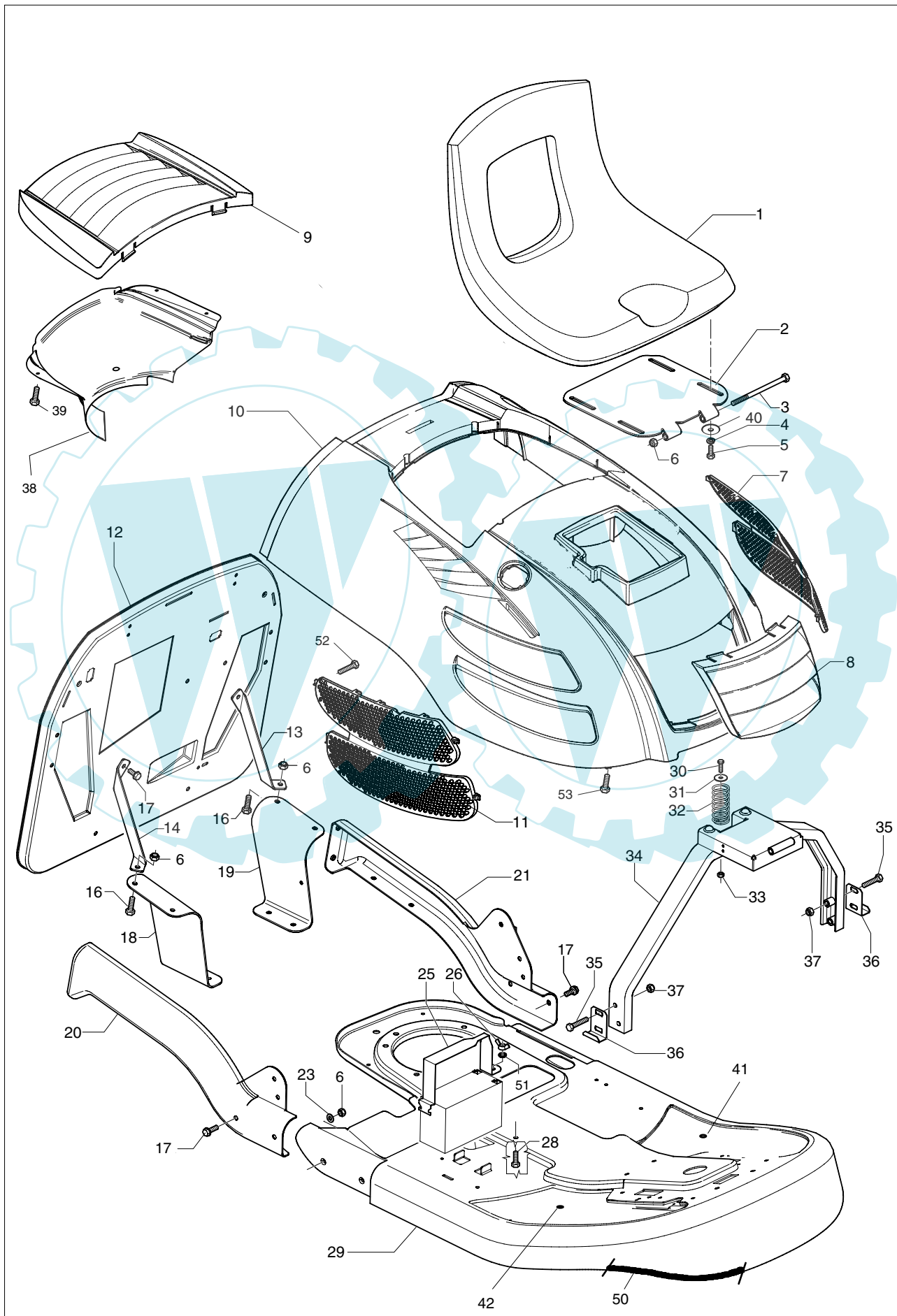
Number of Pages 1 of 19

Factory: ILY - Parabiago	Product Group: ON 107
Publication Number: EIPL2004_PP0405001	Petrol Wheeled
Publication Date: 14/05/04	Sub Group: 1073



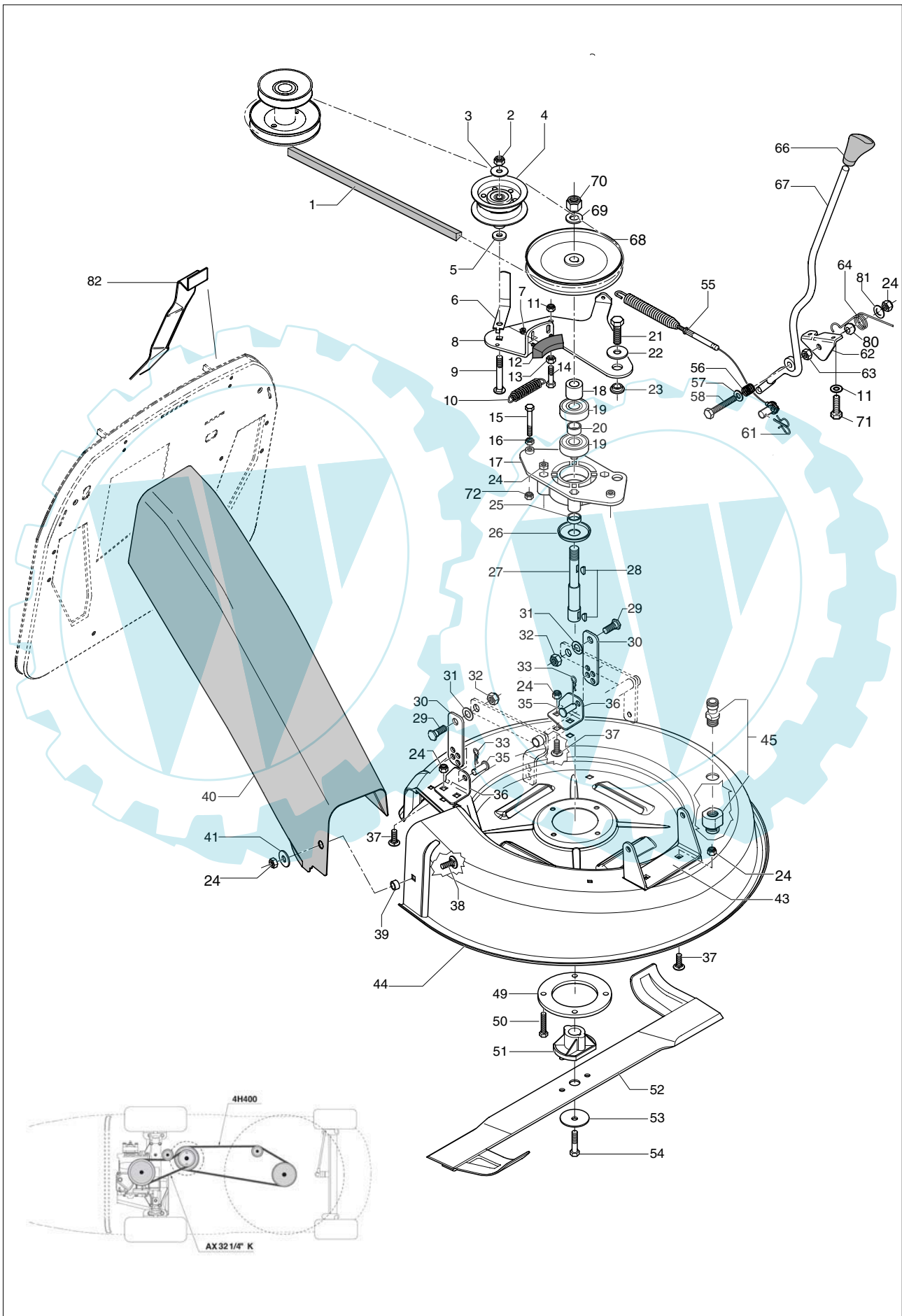
Pos.	PN ELX	MEP Pn°	DESCRIPTION	Q.ty	Pos.	PN ELX	MEP Pn°	DESCRIPTION	Q.ty
1	531212186	10340810	switch-housing	1	36	531207406	10651100	pin	1
2	531212766	10340323	gasoline-tank	1	37	531206653	10281400	cotter pin	4
3	531205581	10135600	clamp	2	38	531204912	10107100	screw	1
4	531205787	10140720	screw M8x16 trilob	8	39	531206643	10272500	washer 13/24/1,2	1
5	531211453	10340083	plate	1	40	531212793	10341270	pin	1
6	531212305	10340950	gasoline-tube	1	41	531212177	10340720	tie rod	1
9	531212536	10341110	pulley engine	1	42	531212566	10341100	pin	1
10	531212137	10340413	knob	1	43	531207982	20106300	nut	1
11	531212162	10340573	lever	1	44	531206814	10301220	clips for kalvas	1
12	531212164	10340593	plate	1	45	531206797	10301020	kalvas joint	1
13	531208660	20501370	screw	2	46	531206835	10301560	nut M12	2
14	531208491	20281800	nut	6	47	531213277	BS696046	tank plug	1
15	531212811	10341320	screw TE ME 6x20	4	48	531212307	10340970	clamp	1
16	531211538	10340493	support	1	49	531206972	10303430	accelerator	1
18	531212178	10340730	tie rod	1	51	531206970	10303403	knob	1
19	531207978	20101700	nut	1	52	531212303	10340930	gasoline-tap	1
20	531212781	10341220	kalvas joint	1		531212304	10340940	gasket for gasoline-tap	1
21	531212782	10341240	clips for kalvas	1	54	531212767	10340223	plug	1
22	531207120	10427400	screw	2	55	531212851	10341330	screw trilob 3/8"-16	3
23	531212176	10340710	plate	1	56	531212167	10340623	silencer	1
24	531212170	10340650	cable	1	57	531213148	10341510	sheating	1
25	531212169	10340640	cable	1	59	531213147	10341520	spacer d.10 x5x24	1
26	531213122	10341490	clamp	2	60	531206649	10280901	screw TE D.,3/8"	1
27	531208599	20404900	nut M10 H8	1	61	531206943	10303070	washer D.12	1
28	531206773	10300743	pedal	1	62	531206859	10301920	washer D.12	1
29	531208585	20382300	screw TE M8x20	1	63	531212770	10341040	belt stretcher	1
30	531212160	10340553	lever	1	64	531212771	10341163	plate support	1
31	531212159	10340543	support	1	66	531206917	10302760	cotter pin	1
33	531206760	10300580	spacer d.10.1x19x0.3	2	67	531212298	10340880	spring	1
34	531206801	10301060	bushing	1	70	531212145	10340503	support	1
35	531206759	10300560	spring	1	71	531212309	10340990	oil-pump	1

: NEW PART



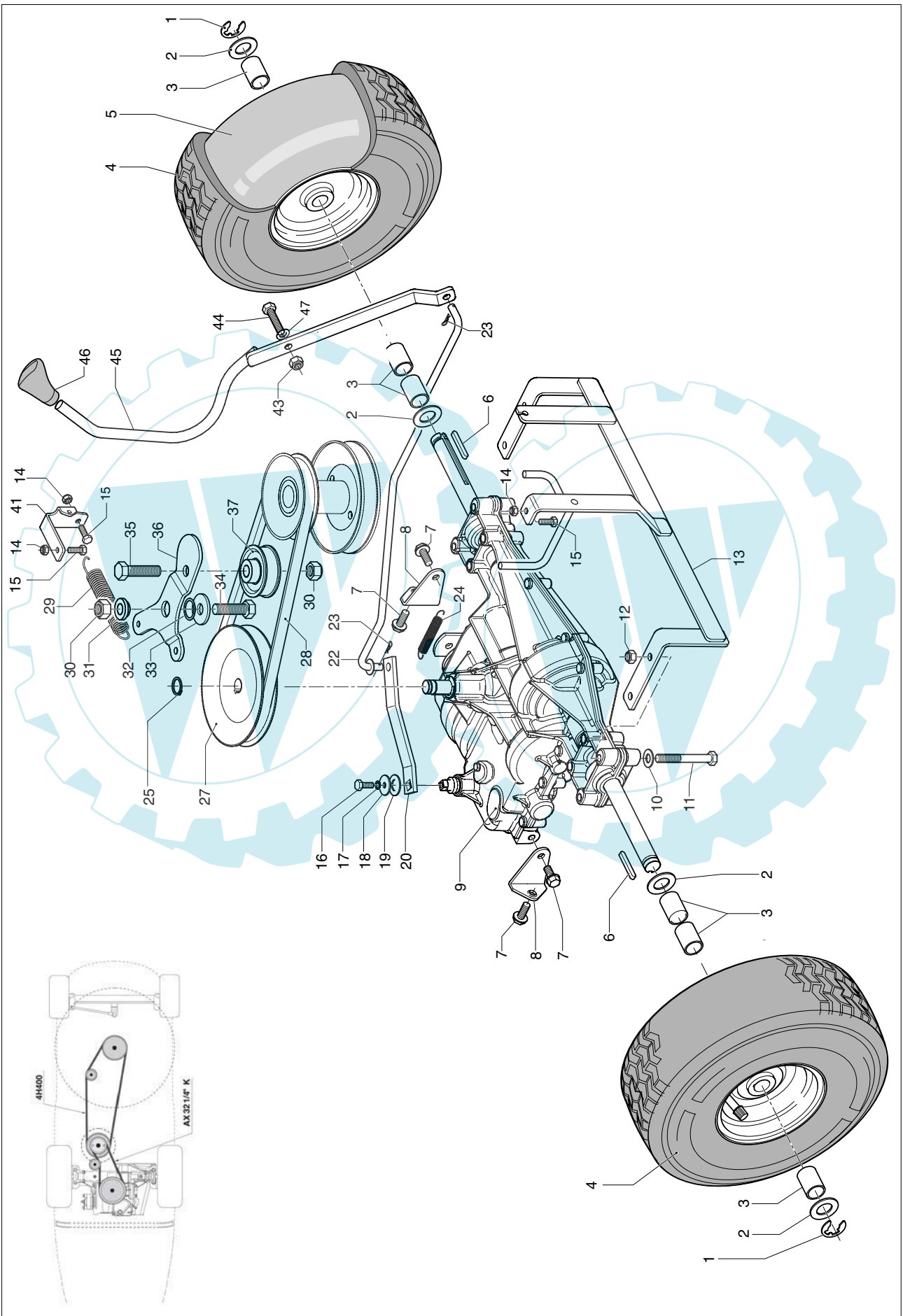
Pos.	PN ELX	MEP Pn°	DESCRIPTION	Q.ty	Pos.	PN ELX	MEP Pn°	DESCRIPTION	Q.ty
1	531212155	10340403	seat	1	28	531207980	20103800	screw TE M8x16	1
2	531206877	10302563	plate-seat	1	29	531211403	10340013	deck	1
3	531206878	10302570	screw M8x150	1	30	531208053	20122600	screw M6	1
4	531206617	10239900	washer 8E	4	31	531207860	10832200	washer	1
5	531208585	20382300	screw TE M8x20	4	32	531212775	10341180	spring	1
6	531208599	20404900	nut M8 H10	9	33	531208491	20281800	nut M6 H8	1
7	531212311	20341013	protective-guard left	1	34	531211409	10340053	support	1
8	531212171	10340661	front-door yellow	1	35	531205196	10121700	screw TE M8x35	4
8	531213066	10340662	front-door red	1	36	531212356	10341080	plate	2
9	531212172	10340671	upper-door yellow	1	37	531212927	10341350	nut M8	4
9	531213067	10340672	upper-door red	1	38	531212774	10340983	air-flow housing	1
10	531212151	10340361	engine-hood yellow	1	39	531207300	10552100	screw TCTC 3,5x13	4
10	531213064	10340362	engine-hood red	1	40	531204904	10066300	washer 8x24x2	4
11	531212312	20341023	protective-guard right	1	41	531212772	10340303	rubber mat left	1
12	531211407	10340043	plate	1	42	531212773	10340313	rubber mat right	1
13	531212351	10340530	bracket left	1	50	531212161	10340560	rubber profile	1
14	531212350	10340520	bracket right	1	51	531207981	20106200	washer D8	1
16	531208585	20382300	screw TE M8x20	4	52	531213094	10341460	screw 4X20	2
17	531205787	10140720	screw TEFR M8X16	6	53	531213093	10341450	screw 7x22	2
18	531212143	10340473	support gr-box right	1					
19	531212144	10340483	support gr-box left	1					
20	531211405	10340023	support right	1					
21	531211406	10340033	support left	1					
23	531204922	10114200	washer 8x16x1,5	4					
25	531212295	10340850	bracket -battery	1					
26	531212808	10341290	nut UNI5448 M8	1					

: NEW PART



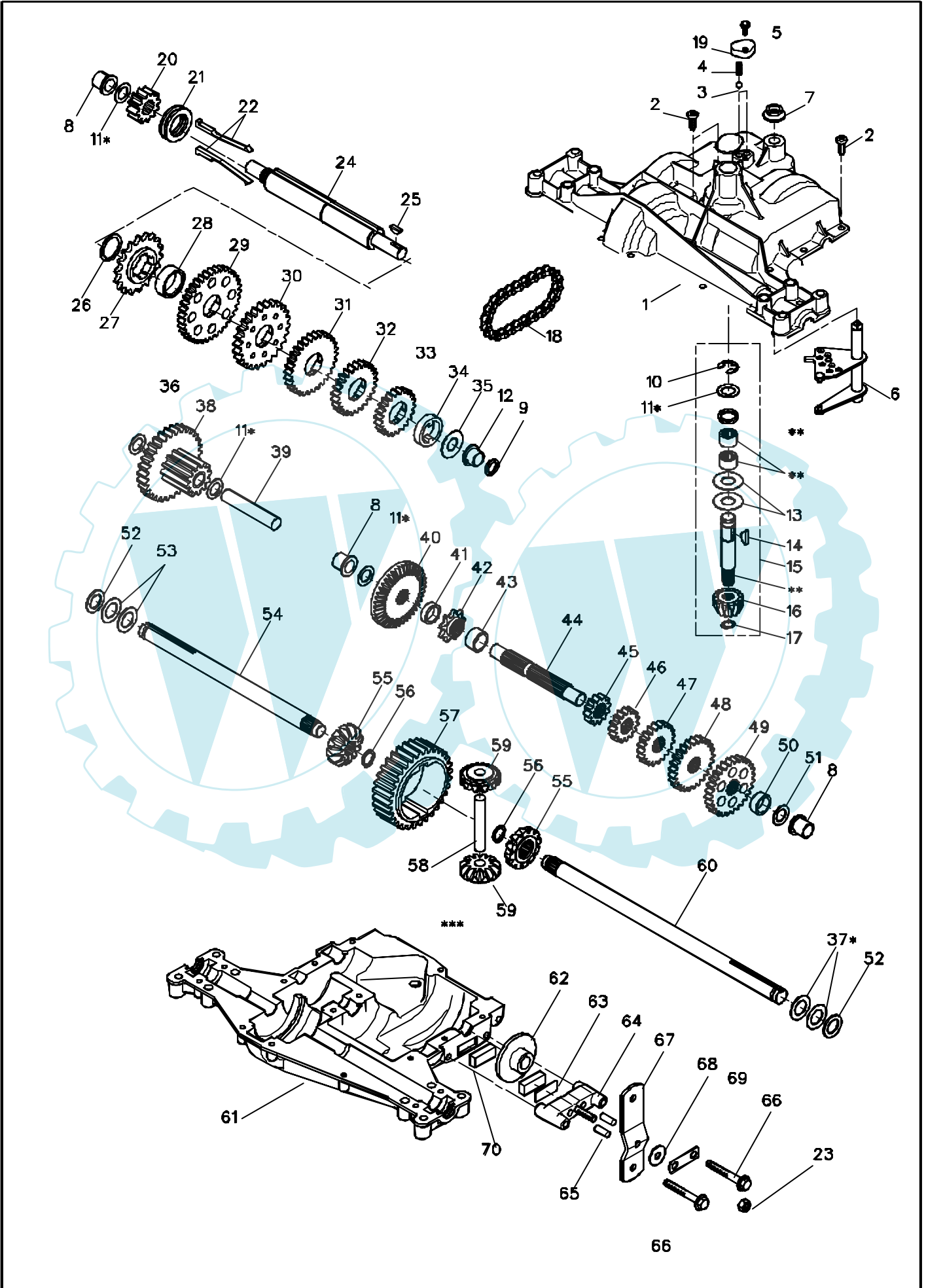
Pos.	PN ELX	MEP Pn°	DESCRIPTION	Q.ty	Pos.	PN ELX	MEP Pn°	DESCRIPTION	Q.ty
1	531212784	10341250	belt 4H400	1	36	531212190	10342533	support	1
2	531213040	10341540	nut M8 3/8	1	37	531205741	10140310	screw TTSQ M8x16	6
3	531213182	10500770	washer	1	38	531204921	10114100	screw TTSQ M8x25	1
4	531212285	10342580	pulley flat idler clutchin	1	39	531212290	10342760	spacer 10X14X7	1
5	531213147	10341520	spacer D.10X5X24	1	40	531212166	10340613	tunnel	1
6	531212286	10342700	belt-keeper	1	41	531204904	10066300	washer 8x24x2	1
7	531208492	20282100	nut M5 H7	2	43	531212189	10342523	support	1
8	531212930	10342680	lever	1	44	531212280	10342513	deck	1
9	531212287	10342750	screw TTSQ 3/8"	1	45	531205848	10141313	water-connection	1
10	531212288	10342590	spring	1	49	531206822	10301400	flange	1
11	531208491	20281800	nut M6	1	50	531204905	10069100	screw TE M8x45	4
12	531206836	10301580	cutter brake ferodo	1	51	531206824	10301420	blade adapter	1
13	531208063	20122790	nut M6	1	52	531212192	10342550	blade	1
14	531205010	10118500	screw TE M6x30	1	53	531207237	10530900	washer 11x50x2,5	1
15	531207511	10677400	screw TE M10x85	1	54	531208008	20120580	screw TE3\8x37	1
16	531207978	20101700	nut M10 H8	1	55	531212291	10342630	cable	1
17	531212294	10340840	blade hub	1	56	531212299	10340890	spring	1
18	531206828	10301460	spacer	1	57	531204922	10114200	washer 8x16x1,5 ZB	3
19	531206830	10301480	ball-bearing	2	58	531213095	10341470	screw TE M8x55	1
20	531206818	10301360	spacer	1	61	531212780	10341230	clips for kalvas	1
21	531206944	10303080	screw TE M12X35	1	62	531212175	10340703	plate	1
22	531206943	10303070	washer D.12,5X36	1	63	531207982	20106300	nut M8 H8	1
23	531212792	10341170	bushing	1	64	531212296	10340860	spring	1
24	531208599	20404900	nut M8 H10	12	66	531212777	10341203	knob	1
25	531206821	10301390	spacer D.20x25x7	1	67	531211424	10340193	lever	1
26	531206823	10301410	eccentric hood	1	68	531212282	10342560	deck pulley	1
27	531206819	10301370	blade support shaft	1	69	531206744	10300380	washer D17x30x2.5	1
28	531204907	10100900	key	2	70	531206831	10301490	nut M16 UNI 7473	1
29	531204912	10107100	screw	2	71	531208769	20655100	screw TE M6x16	2
30	531212163	10340583	plate	2	72	531207161	10501160	nut M10 H10	1
31	531206643	10272500	washer 13/24/.2	2	80	531211966	10155560	spacer H10	1
32	531206835	10301560	nut M12	2	81	531204904	10066300	washer 8x24x2	1
33	531206653	10281400	cotter pin	2	82	531206788	10300920	plate	1
35	531212565	10341090	pin	2	83	531205377	10126000	washer 6x18x1,5	2

: NEW PART



Pos.	PN ELX	MEP Pn°	DESCRIPTION	Q.ty	Pos.	PN ELX	MEP Pn°	DESCRIPTION	Q.ty
1	531206727	10300190	benzing ring	2	24	531206924	10302830	spring	1
2	531206744	10300380	washer D17x30x2.5	4	25	531208451	20231200	seeger	1
3	531207617	10689600	spacer D.19/25/31H	6	27	531207007	10330100	pulley	1
4	531211455	10340130	wheel	2	28	531205384	10128170	belt AX32 1/4" K	1
5	531208576	20330310	inner tube	2	29	531212624	10341030	spring	1
6	531207432	10654500	key	2	30	531206835	10301560	nut M12	2
7	531205787	10140720	screw TEFR M8X16 Tf	4	31	531206942	10303060	bushing	1
8	531212156	10340510	plate	2	32	531212768	10341120	washer D19X25X0,5	1
9	531212310	10341000	gear-box DANA	1	33	531206943	10303070	washer D12,5X36X2,5	1
10	531204922	10114200	washer 8x16x1,5	4	34	531206944	10303080	screw TE M12X35	1
11	531206577	10229600	screw TE M8x70	4	35	531212852	10341340	screw M12X45 8.8	1
12	531208599	20404900	nut M8 H10	4	36	531212138	10340420	pulley-plate	1
13	531212140	10340443	support	1	37	531212785	10341260	pulley	1
14	531208491	20281800	nut M6	3	41	531212165	10340600	plate	1
15	531208053	20122600	screw TE M6x20	2	43	531212927	10341350	screw M8	1
16	531206803	10301080	screw TE 1/4"	1	44	531212928	10341360	screw TE M8x30	1
17	531206731	10300230	washer D.6	1	45	531212173	10340683	lever	1
18	531207860	10832200	washer 6x24x2	1	46	531212776	10341193	knob	1
19	531206643	10272500	washer D8	1	47	531204906	10069200	washer	1
20	531207014	10330162	lever	1					
22	531211428	10340230	rod	1					
23	531206653	10281400	cotter pin	2					

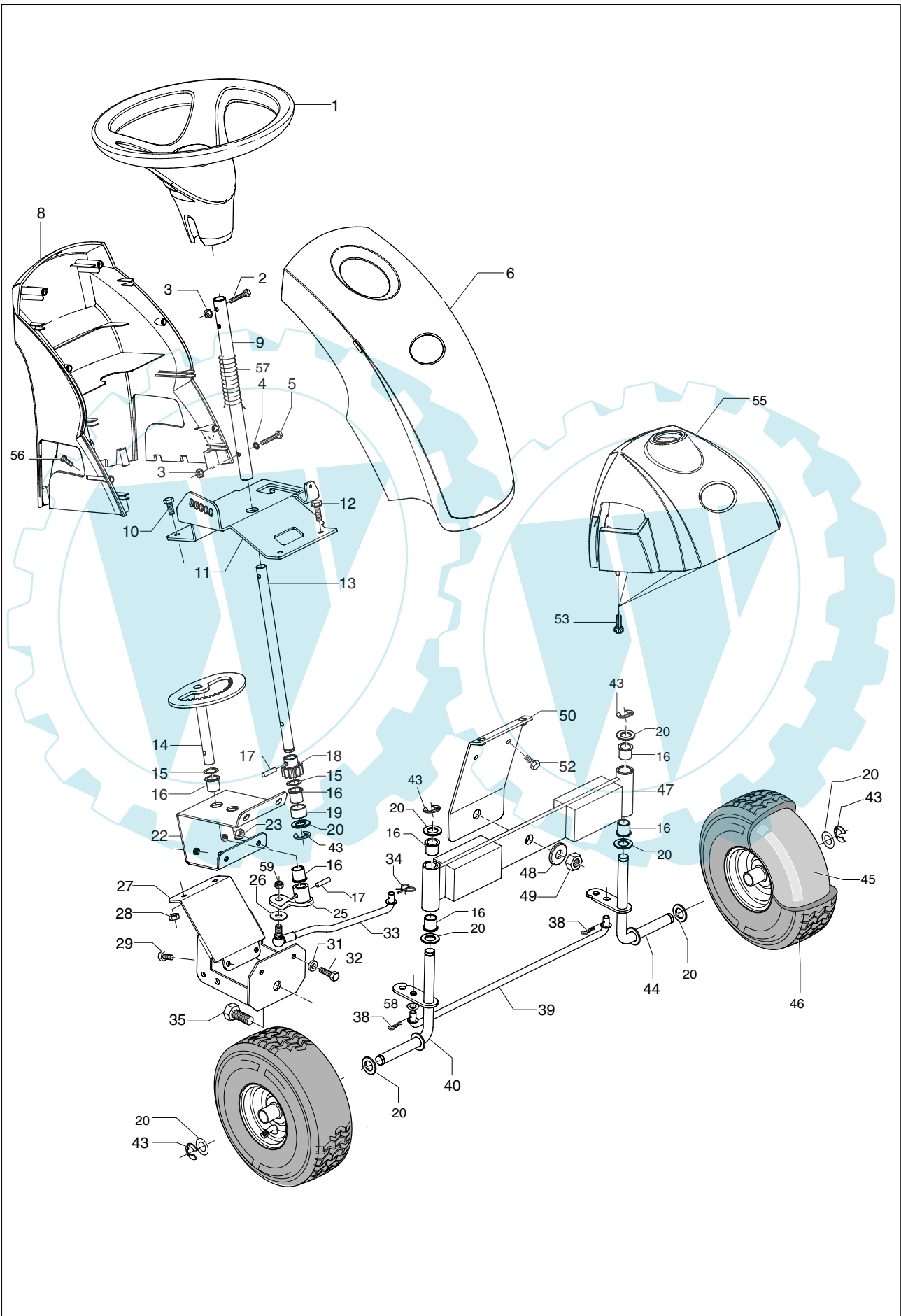
 : NEW PART



Pos.	PN ELX	MEP P/n°	DESCRIPTION	Q.ty	Pos.	PN ELX	MEP P/n°	DESCRIPTION	Q.ty
1	519537700	DANA5962-P	Housing, Upper	1	37	519541300	DANA4691	Assy, Kit,750 Shaft	1*
2	519537800	DANA1919	Screw, Tapping, 1/4-20	16	38	519541400	DANA6358	Assy, Gear, 12T & 30T	1
3	519537900	DANA5947	Ball, Detent	2	39	519541500	DANA3967	Shaft, Idler	1
4	519538000	DANA5948	Spring, Detent	2	40	519541600	DANA7003	Gear, Bevel, 36T	1
5	519538100	DANA840052	Screw, Tapping 10-24	1	41	519541700	DANA3630	Spacer,781X1.00X .281	1
6	519538200	DANA6517	Assy, Kit, Shifter	1	42	519541800	DANA3645	Sprocket, 9T	1
7	519538300	DANA7010	V-Ring	1	43	519541900	DANA5016	Spacer,.781X 1.00X.494	1
8	519538400	DANA5510	Bearing, Flange	3	44	519542000	DANA5015	Shaft, Drive	1
9	519538500	DANA5508	Seal, Oil	1	45	519542100	DANA5364	Gear, Spur, 12T	1
10	519538600	DANA1106	Ring, Retaining	1	46	519542200	DANA5406	Gear, Spur, 15T	1
11	519538700	DANA4689	Assy, Kit, Shim	4*	47	519542300	DANA3866	Gear, Spur, 20T	1
12	519538800	DANA5511	Bearing, Flange	1	48	519542400	DANA3719	Gear, Spur, 25T	1
13	519538900	DANA3876	Washer,632 X 1.38 X .046	2	49	519542500	DANA3868	Gear, Spur, 28T	1
14	519539000	DANA1746	Key, Woodruff,	1	50	519542600	DANA3714	Spacer.781 X1.00 X .375	1
15	519539100	DANA6205	Assy, Kit, Input Shaft	1	51	519542700	DANA1145	Washer.632X1.00X.060	1
16	519539200	DANA5620	Pinion, Bevel, 12T	1	52	519542800	DANA5130	Washer, Neoprene	2
17	519539300	DANA3624	Ring, Retaining	1	53	519542900	DANA3184	Washer .758X1.25X.031	2
18	519539400	DANA3625	Chain, 24 Pitches	1	54	519543000	DANA5529-1	Axle, LH	1
19	519539500	DANA5950	Cover, Detent	1	55	519543100	DANA5622	Gear, Miter, 12T	2
20	519539600	DANA5627	Gear, Spur, 12T	1	56	519543200	DANA5270	Ring, Retaining	2
21	519539700	DANA5303	Collar, Clutch	1	57	519543300	DANA3839	Gear, Spur, 32T	1
22	519539800	DANA4758	Assy, Kit, Clutch Keys	1	58	519543400	DANA3919	Shaft, Cross	1
23	519539900	DANA3847	Nut, Lock, 5/16-24	1	59	519543500	DANA5623	Gear, Miter, 12T, Idler	2
24	519540001	DANA5737	Shaft, Intermediate	1	60	519543600	DANA5529-2	Axle, RH	1
25	519540100	DANA1375	Key, Woodruff,	1	61	519543700	DANA5304-M	Housing, Lower	1
26	519540200	DANA3627	Ring, Retaining	1	62	519543800	DANA5960	Disc, Brake	1
27	519540300	DANA3830	Sprocket, 18T	1	63	519543900	DANA3758	Spacer, Brake Puck	1
28	519540400	DANA3841	Spacer, 1.13 X1.45X.494	1	64	519544000	DANA5554	Jaw, Brake	1
29	519540500	DANA5365	Gear, Spur, 37T	1	65	519544100	DANA3843	Pin, Dowel	2
30	519540600	DANA5407	Gear, Spur, 35T	1	66	519544200	DANA5562	Screw, 5/16-18 X 2.35	2
31	519540700	DANA3867	Gear, Spur, 30T	1	67	519544300	DANA7024	Lever, Actuating	1
32	519540800	DANA3783	Gear, Spur, 25T	1	68	519544400	DANA3760	Washer .321X1.00 .055	1
33	519540900	DANA3869	Gear, Spur, 22T	1	69	519544500	DANA5555	Bracket, Anti-Rotation	1
34	519541000	DANA5027	Spacer,1.133X1.50X.375	1	70	519544600	DANA3907	Puck, Friction	2
35	519541100	DANA3628	Washer,.64X1.37X.061	1	71	519544700	DANA4300	Grease	1
36	519541200	DANA1425	Washer, .63 X1.0 X.046	1					

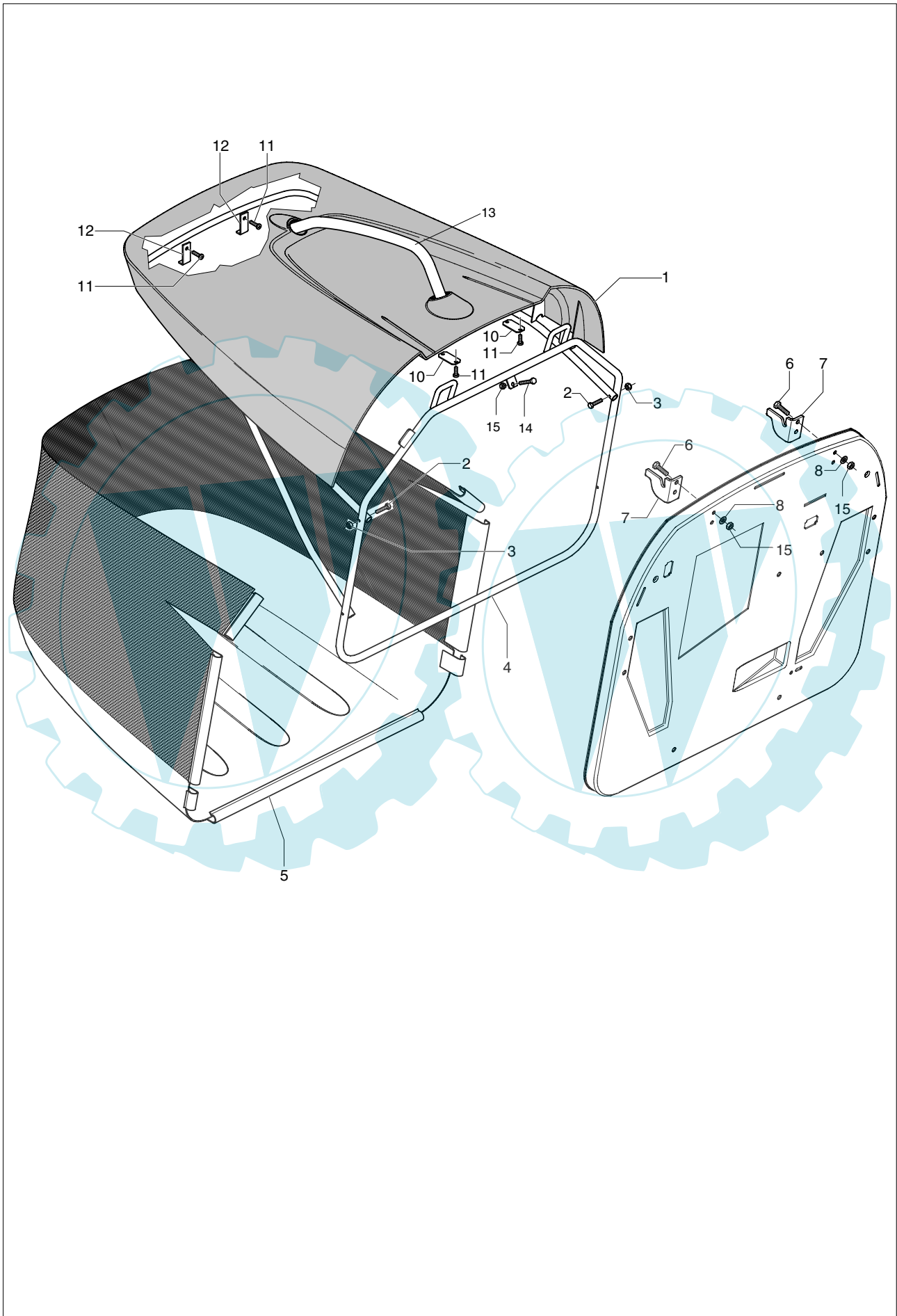
* Use in various combinations to maintain proper clearances

*** Silicone Sealant to be applied between upper and lower housings (use Loctite Ultra Gray Silicone 5699 or equivalent)



Pos.	PN ELX	MEP Pn°	DESCRIPTION	Q.ty	Pos.	PN ELX	MEP Pn°	DESCRIPTION	Q.ty
1	531212153	10340383	steering wheel	1	29	531205787	10140720	screw TE M8x16	2
2	531212810	10341310	screw M6x45	1	31	531205732	10140213	spacer H.5	2
3	531208063	20122790	nut M6	2	32	531208585	20382300	screw TE M8x20	4
4	531208499	20286606	washer	1	33	531211413	10340090	steering arm	1
5	531208425	20228705	screw TE M6x35	1	34	531213177	10341530	cotter pin 10	1
6	531212133	10340241	front hood yellow	1	35	531212929	10341370	screw M16X40	1
6	531213089	10340242	front hood red	1	38	531206653	10281400	cotter pin	2
8	531212134	10340253	hood	1	39	531211414	10340100	rod	1
9	531212185	10340800	shaft	1	40	531212149	10340340	wheel-support right	1
10	531212928	10341360	screw TE M8x30	2	43	531206727	10300190	benzing ring	5
11	531211411	10340073	plate	1	44	531212148	10340330	wheel-support left	1
12	531206922	10302810	screw TE M8x20	2	45	531208576	20330310	inner tube	2
13	531211410	10340060	shaft	1	46	531211454	10340120	wheel	2
14	531211420	10340150	gear	1	47	531211418	10340143	axle	1
15	531212168	10340630	washer D17X24	2	48	531206740	10300340	washer-spring	1
16	531206742	10300360	bearing D.16,25X20	8	49	531205455	10129580	nut M16 H16	1
17	531212807	10341280	resilient pin D6x24	2	50	531211416	10340113	plate	1
18	531212154	10340390	gear	1	52	531205787	10140720	screw TEFR M8X16	4
19	531212297	10340870	spacer D20/25	1	53	531213093	10341450	screw 7x22	4
20	531206744	10300380	washer D17x30x2.5	9	55	531212150	10340351	s.front hood yellow	1
22	531212924	10340160	plate	1	55	531213063	10340352	s. front hood red	1
23	531212927	10341350	nut M8	2	56	531206433	10165300	screw D.3,5x16	6
25	531212786	10340180	support	1	57	531212174	10340693	shaft-cover	1
26	531207122	10428900	washer 10x21x2	5	58	531207122	10428900	washer 10x21x2	2
27	531212132	10340173	steering-box	1	59	531207161	10501160	nut M10 H10	1
28	531208599	20404900	nut M8 H10	2					

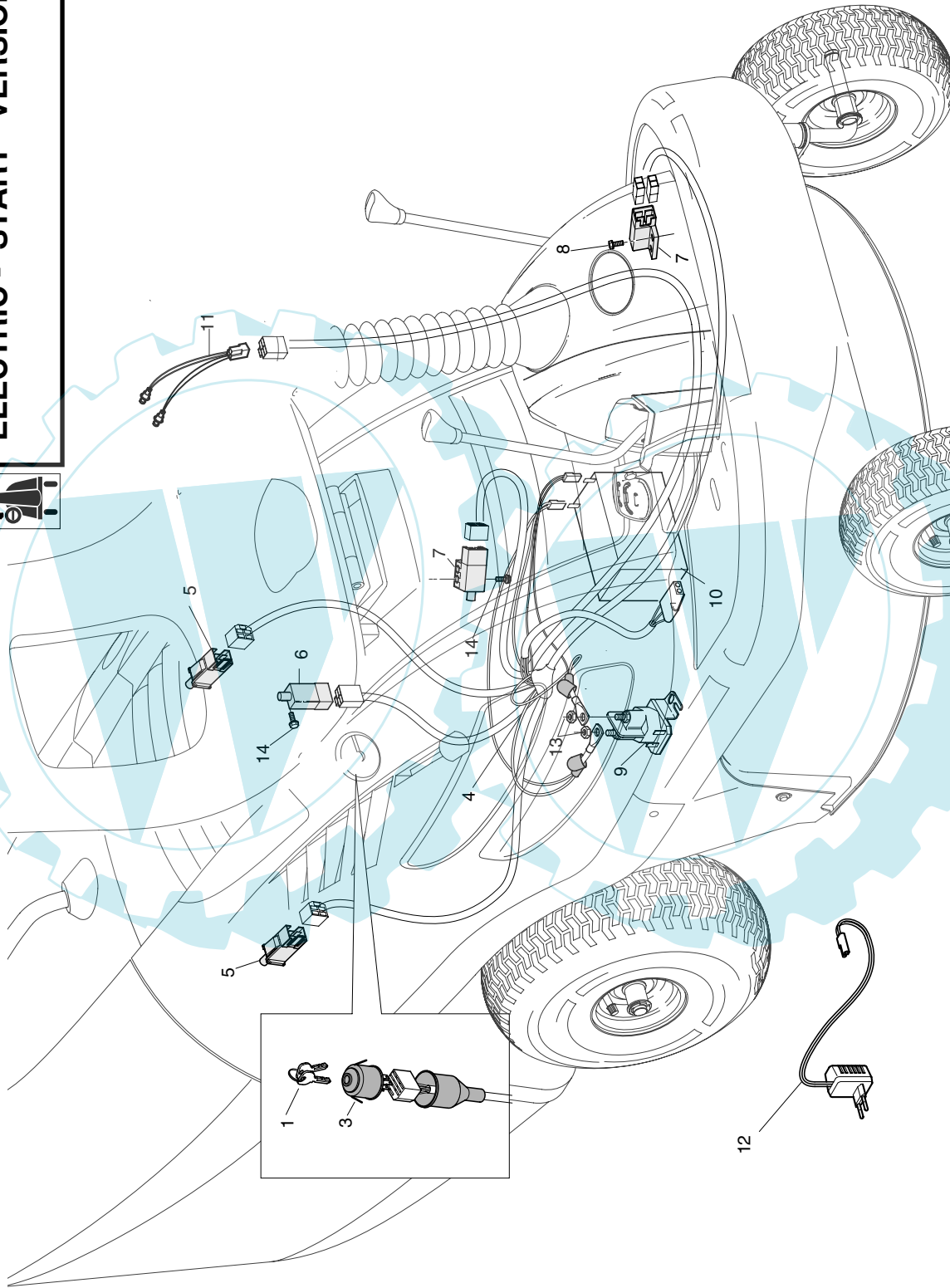
: NEW PART



Pos.	PN ELX	MEP Pn°	DESCRIPTION	Q.ty
1	531212152	10340371	grass-bag cover yellow	1
1	531213065	10340372	grass-bag cover red	1
2	531212809	10341300	screw M5X30	6
3	531208492	20282100	nut M5 H7	6
4	531211446	10340263	frame grass-bag	1
5	531211456	10340273	grass-bag	1
6	531208053	20122600	screw M6x20 TE	4
7	531212141	10340453	plate	2
8	531205377	10126000	washer 6x18x1,5	4
10	531212354	10341070	plate	2
11	531206433	10165300	screw D.3,5x16	6
12	531212353	10341060	plate	2
13	531212135	10340283	handle	1
14	531207441	10655200	screw TE M6x40	2
15	531208491	20281800	nut M6	6

 : NEW PART

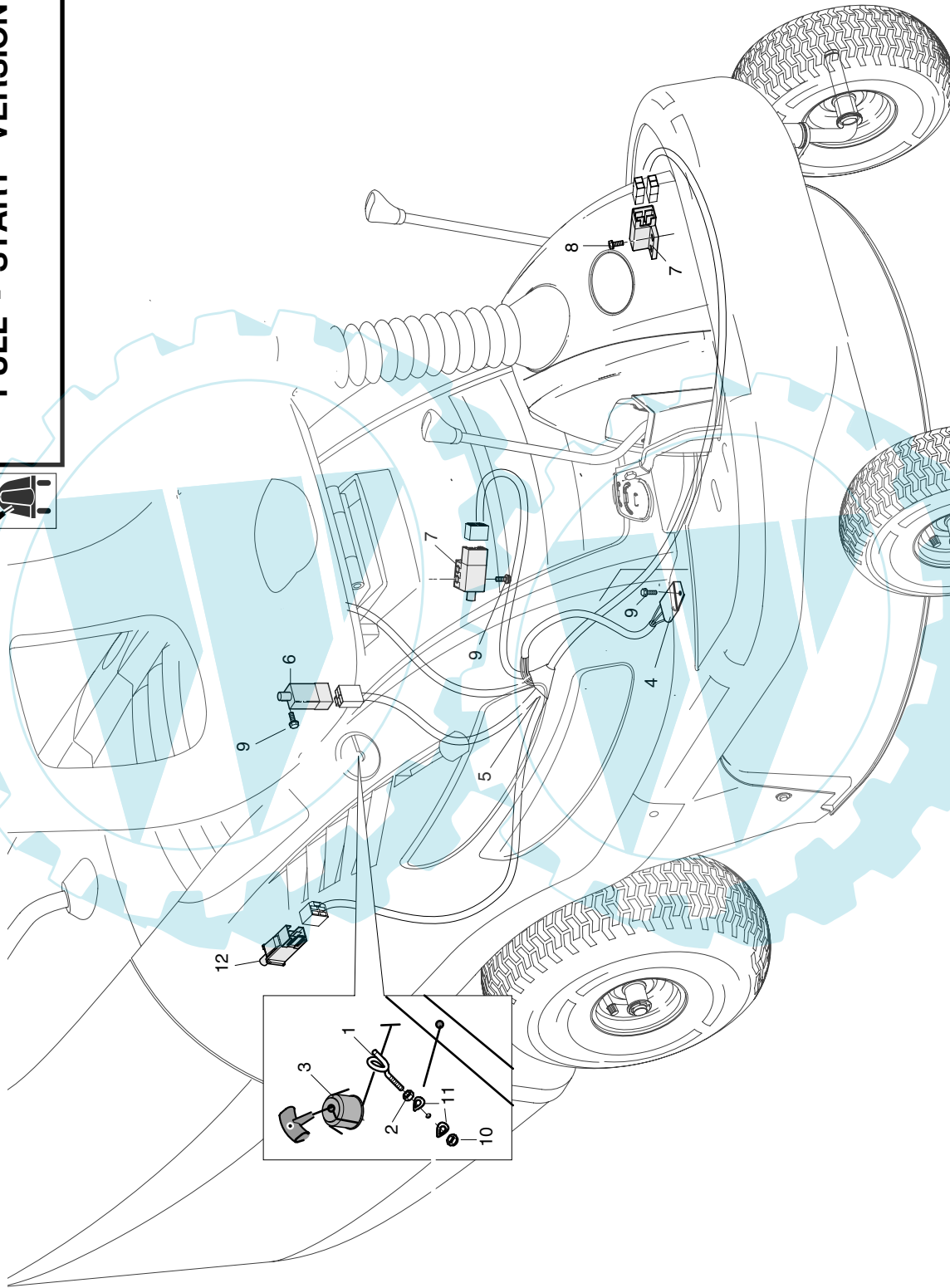
ELECTRIC - START VERSION



Pos.	PN ELX	MEP Pn°	DESCRIPTION	Q.ty
1	531212028	10878500	key -ring	1
1	531212783	10341150	key ignition	2
3	531212334	10342770	key switch	1
4	531211426	10340210	wiring-e.s. vers.	1
5	531212333	10342780	microswitch	2
6	531212779	10341140	microswitch	1
7	531206868	10302020	microswitch	2
8	531206910	10302680	screw TE D.5.5x13 Z	4
9	531213040	10341430	solenoid valve	1
10	531212301	10340910	battery	1
11	531206929	10302920	green-red led	1
12	531212302	10340920	battery charger	1
12	531213120	10341480	battery charger uk	1
13	531206752	10300480	nut 1/4" UNC ZNT	2
14	531207120	10427400	screw TC 4,8x13	4

 : NEW PART

PULL - START VERSION



Pos.	PN ELX	MEP Pn°	DESCRIPTION	Q.ty
1	531205169	10121470	cable hook	1
2	531207165	10501200	nut M6 H6	1
3	531212293	10340833	plug for rope	1
4	531213202	10341570	central unit	1
5	531213019	10341050	wiring	1
6	531212779	10341140	microswitch	1
7	531206868	10302020	microswitch	2
8	531206910	10302680	screw FR. D.5.5x13 Z	2
9	531207120	10427400	screw FR TC 4,8x13	5
10	531208491	20281800	nut M6 H8	1
11	531205377	10126000	washer 6x18x1,5	2
12	531212333	10342780	microswitch	1



NEW PART